

December 3, 2018

TO: All Plan Holders, Contractors and other Interested Parties

RE: ADDENDUM NO. 2
Pell City Civic Center Improvements (Driveway Access Improvements, Parking Lot
Expansion and Overlay)
City of Pell City, Alabama

Addendum No. 2 is hereby issued for the referenced project provides for the following
Quantity and Pay Item revisions and additions:

1. Pay Item No. 424B-285 SUPERPAVE BITUMINOUS CONCRETE UPPER BINDER LAYER, PATCHING, 1" MAXIMUM AGGREGATE SIZE MIX, ESAL RANGE E (220 LB/SY) added.
2. Pay Item No. 701A-231 SOLID WHITE, CLASS 2, TYPE A TRAFFIC STRIP (4" WIDE) thermoplastic strip deleted.
3. Pay Item No. 701G-009 SOLID WHITE, CLASS 1, TYPE A TRAFFIC STRIPE paint strip added.
4. Pay Item No. 701G-027 SOLID YELLOW, CLASS 1, TYPE A TRAFFIC STRIPE paint strip added.
5. Pay item No. 701H-000 SOLID TRAFFIC STRIPE REMOVAL (PAINT)
6. Pay item No. 710B-001 ROADWAY SIGN POST (#3 "U" CHANNEL GALVINIZED STEEL) added.
7. Pay Item No. 740B-000 CONSTRUCTION SIGNS added.
8. Pay Item No. 740D-000 CHANNELIZING DRUMS added.
9. Pay Item No. 740E-000 CONES (36 INCHES HIGH) added.

The following Bid Documents are being issued by this Addendum No. 2:

- SECTION 01140: PROPOSAL - CONTRACTOR BID FORM - SCHEDULE OF VALUES
- Plan Sheet No. 1 – TYPICAL SECTIONS
- Plan Sheet No. 1A – SUMMARY OF QUANTITIES

Please acknowledge receipt of this ADDENDUM No. 2 in your Proposal.

Sincerely,
NEEL-SCHAFFER, INC.



Robert E. Portera, P.E.
Project Manager

Cc: Mr. Brian Muenger, City Manager, City of Pell City
File



SECTION 01140: PROPOSAL - CONTRACTOR BID FORM - ADDENDUM NO. 2

SCHEDULE OF VALUES (UNIT COSTS):

This Schedule of Values is subject to approval and acceptance by the OWNER. Any proposed project material, incidental, or item without either a performance equal or written specification, shall follow the ALDOT Standard Specifications for Highway Construction, Latest Edition.

PELL CITY CIVIC CENTER IMPROVEMENTS - BASE BID						
NO.	ITEM NUMBER	UNIT	PAY ITEM DESCRIPTION	QUANTITY	UNIT COST	LINE TOTAL
1	206D-000	LF	REMOVING PIPE	80		
2	206D-003	LF	REMOVING CURB AND GUTTER	385		
3	210A-000	CUYD	UNCLASSIFIED EXCAVATION	370		
4	214B-001	CUYD	FOUNDATION BACKFILL, COMMERCIAL	32		
5	230B-000	SQYD	ROADBED PROCESSING	2600		
6	301A-012	SQYD	CRUSHED AGGREGATE BASE COURSE, TYPE B, PLANT MIXED, 6" COMPACTED THICKNESS	2600		
7	401A-000	SQYD	BITUMINOUS TREATMENT A	2600		
8	405A-000	GALS	TACK COAT	570		
9	424A-340	TON	SUPERPAVE BITUMINOUS CONCRETE WEARING SURFACE LAYER, 1/2" MAXIMUM AGGREGATE SIZE MIX, ESAL RANGE C/D (110 LB/SY)	550		
10	424B-285	TON	SUPERPAVE BITUMINOUS CONCRETE UPPER BINDER LAYER, PATCHING, 1" MAXIMUM AGGREGATE SIZE MIX, ESAL RANGE E (220 LB/SY)	20		
11	424B-636	TON	SUPERPAVE BITUMINOUS CONCRETE UPPER BINDER, 1" MAXIMUM AGGREGATE SIZE MIX, ESAL RANGE E (220 LB/SY)	300		
12	530A-001	LF	18" ROADWAY PIPE (CLASS 3 R.C.)	45		
13	600A-000	LS	MOBILIZATION	1		
14	610C-001	TON	LOOSE RIPRAP, CLASS 2	9		
15	618A-000	SQ YD	CONCRETE SIDEWALK, 4" THICK	221		

NO.	ITEM NUMBER	UNIT	PAY ITEM DESCRIPTION	QUANTITY	UNIT COST	LINE TOTAL
16	650A-000	CUYD	TOPSOIL	204		
17	652A-100	ACRE	SEEDING	2		
18	654A-000	SQ YD	SOLID SODDING	1980		
19	665J-002	LF	SILT FENCE, TYPE A	300		
20	665O-001	LF	SILT FENCE REMOVAL	300		
21	665Q-002	LF	WATTLE	60		
22	619A-002	EACH	18" ROADWAY PIPE END TREATMENT, CLASS 1	1		
23	621C-017	EACH	INLETS, TYPE S3 (2 WING)	1		
24	623B-002	LF	CONCRETE CURB, TYPE A	780		
25	623C-000	LF	COMBINATION CURB & GUTTER TYPE C	655		
26	623C-003	LF	COMBINATION CURB & GUTTER TYPE C, MODIFIED	167		
27	627E-000	EACH	PARKING CHOCK/WHEEL STOP CIP	5		
28	656A-010	ACRE	MULCHING	1		
29	680A-001	LS	GEOMETRIC CONTROLS	1		
30	701G-009	LF	SOLID WHITE, CLASS 1, TYPE A TRAFFIC STRIPE	3975		
31	701G-027	LF	SOLID YELLOW, CLASS 1, TYPE A TRAFFIC STRIPE	435		
32	701H-000	LF	SOLID TRAFFIC STRIPE REMOVAL (PAINT)	50		
33	703B-002	SQFT	TRAFFIC CONTROL LEGENDS, CLASS 2, TYPE A	456		
34	710A-126	SQFT	CLASS 8, ALUMINUM FLAT SIGN PANELS 0.08" THICK OR STEEL FLAT SIGN PANELS 14 GAUGE (TYPE IX BACKGROUND)	104		
35	710B-001	LF	ROADWAY SIGN POST (#3 "U" CHANNEL GALVINIZED STEEL)	288		
36	740B-000	SQFT	CONSTRUCTION SIGNS	130		
37	740D-000	EACH	CHANNELIZING DRUMS	10		
38	740E-000	EACH	CONES (36 INCHES HIGH)	15		

NO.	ITEM NUMBER	UNIT	PAY ITEM DESCRIPTION	QUANTITY	UNIT COST	LINE TOTAL
39	740F-002	EACH	BARRICADES, TYPE III	4		
					BID TOTAL =	

The CONTRACTOR agrees to perform all of the WORK described in the CONTRACT DOCUMENTS and comply with the terms therein for the sum of the BID TOTAL.

The term "CONTRACT DOCUMENTS" means and includes the following:

- | | | |
|----------------------------|----------------------------|------------------------------|
| A. Ad Description | F. Agreement | K. Notice of Award |
| B. Information for Bidders | G. General Conditions | L. Notice to Proceed |
| C. Bid | H. Supplemental Conditions | M. Change Orders |
| D. Bid Bond | I. Performance Bond | N. Drawings & Specifications |
| E. Non-Collusion Affidavit | J. Payment Bond | O. Addenda |

Addenda Received:

No. _____ Dated: _____

No. _____ Dated: _____

No. _____ Dated: _____

Contractor Name: _____

By: _____ **Title:** _____

Date: _____

Contractor's License No.: _____ (SEAL)

Address: _____

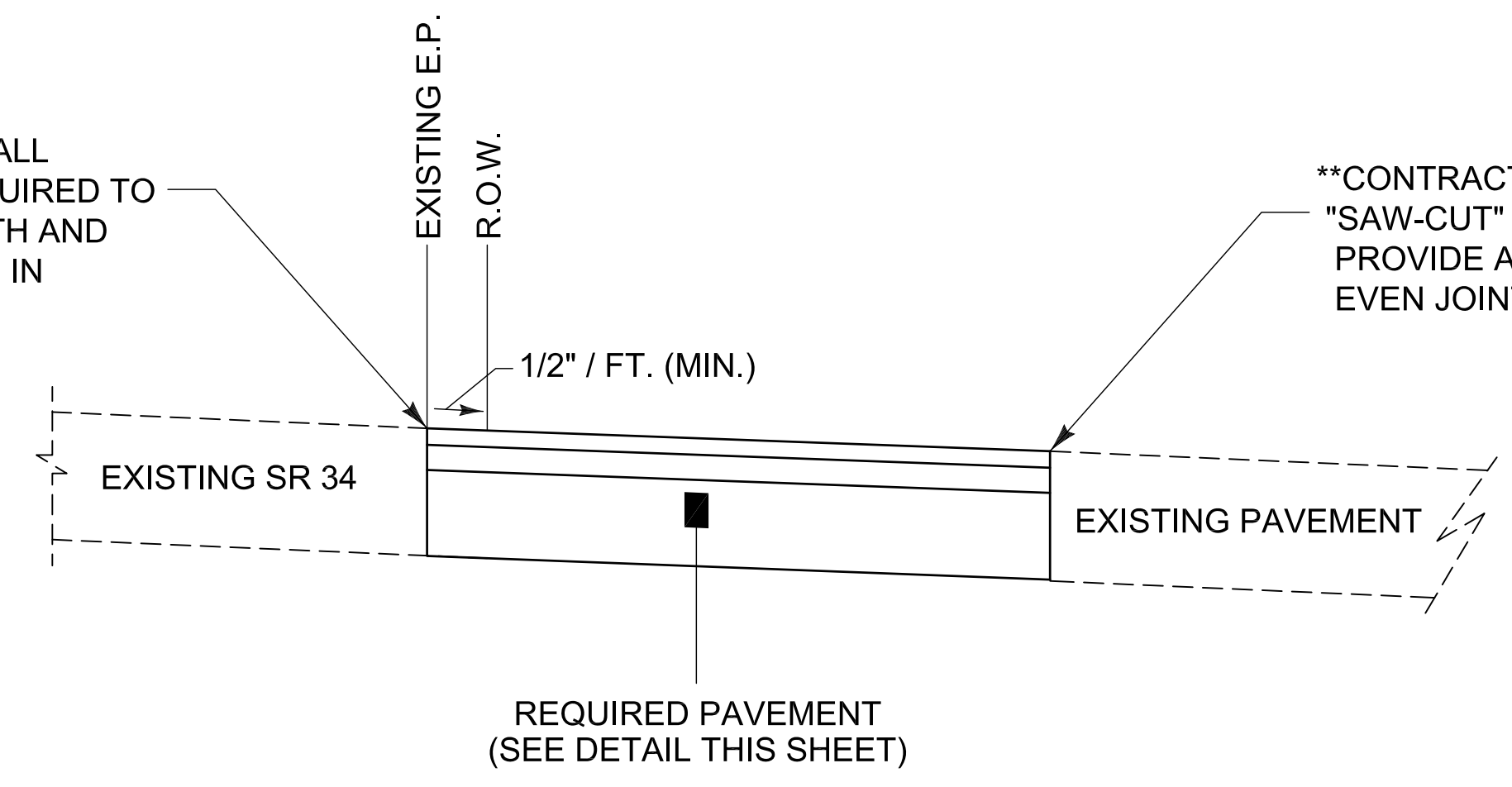
Phone Number: _____

Fax Number: _____

Email: _____

**CONTRACTOR SHALL "SAW-CUT" AS REQUIRED TO PROVIDE A SMOOTH AND EVEN JOINT AT TIE IN

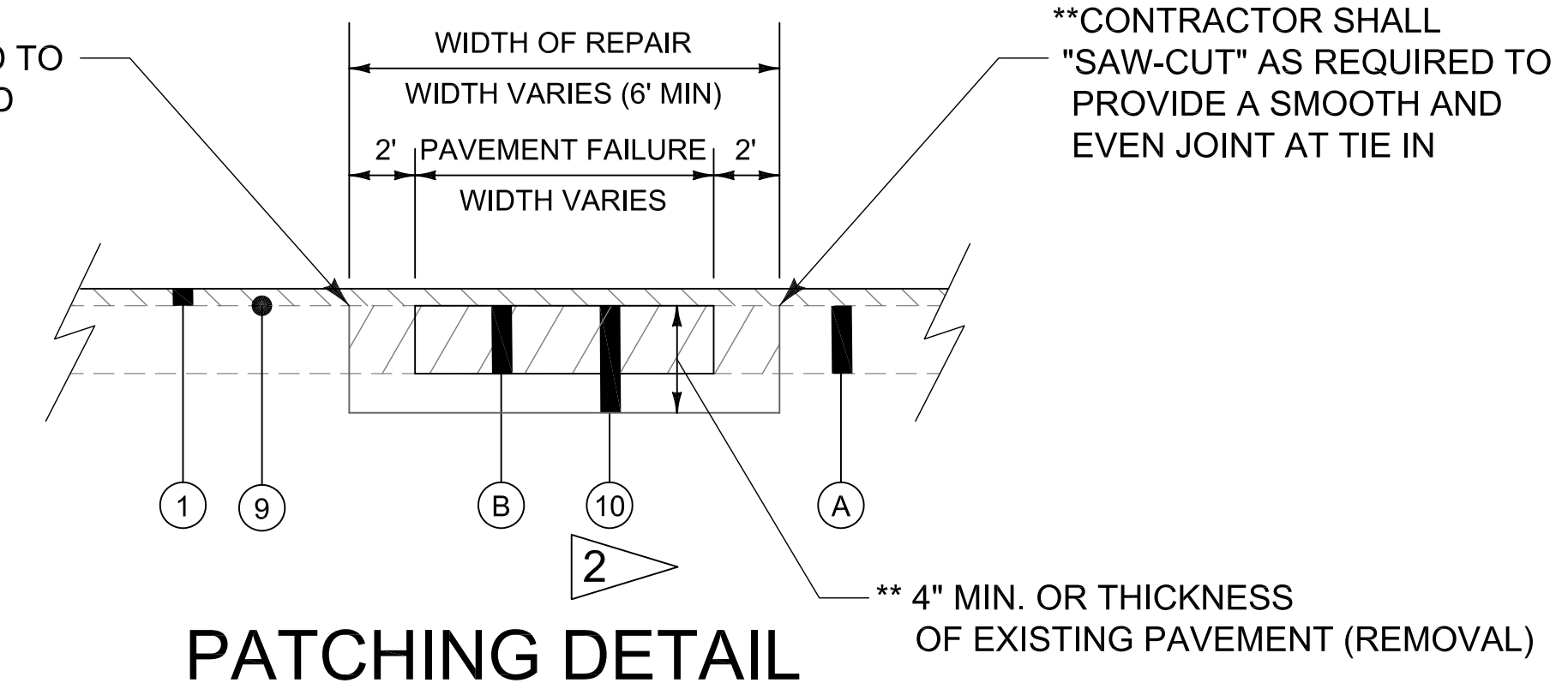
**CONTRACTOR SHALL "SAW-CUT" AS REQUIRED TO PROVIDE A SMOOTH AND EVEN JOINT AT TIE IN



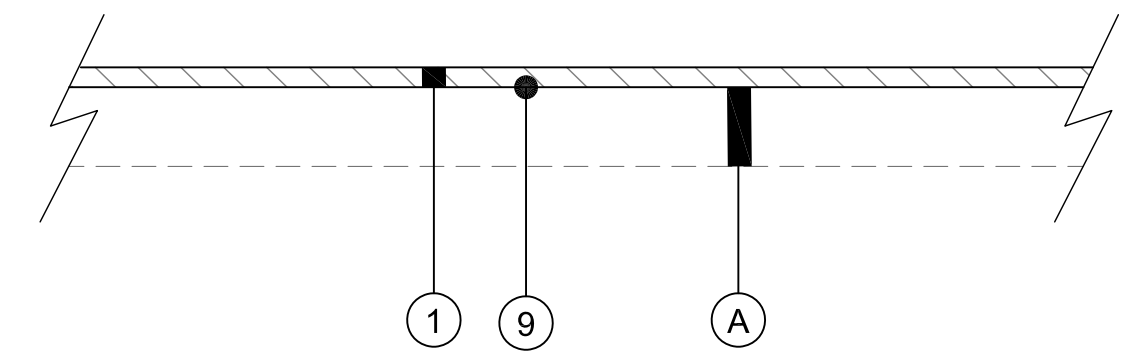
BUTT JOINT DETAIL FOR PAVEMENT

**CONTRACTOR SHALL "SAW-CUT" AS REQUIRED TO PROVIDE A SMOOTH AND EVEN JOINT AT TIE IN

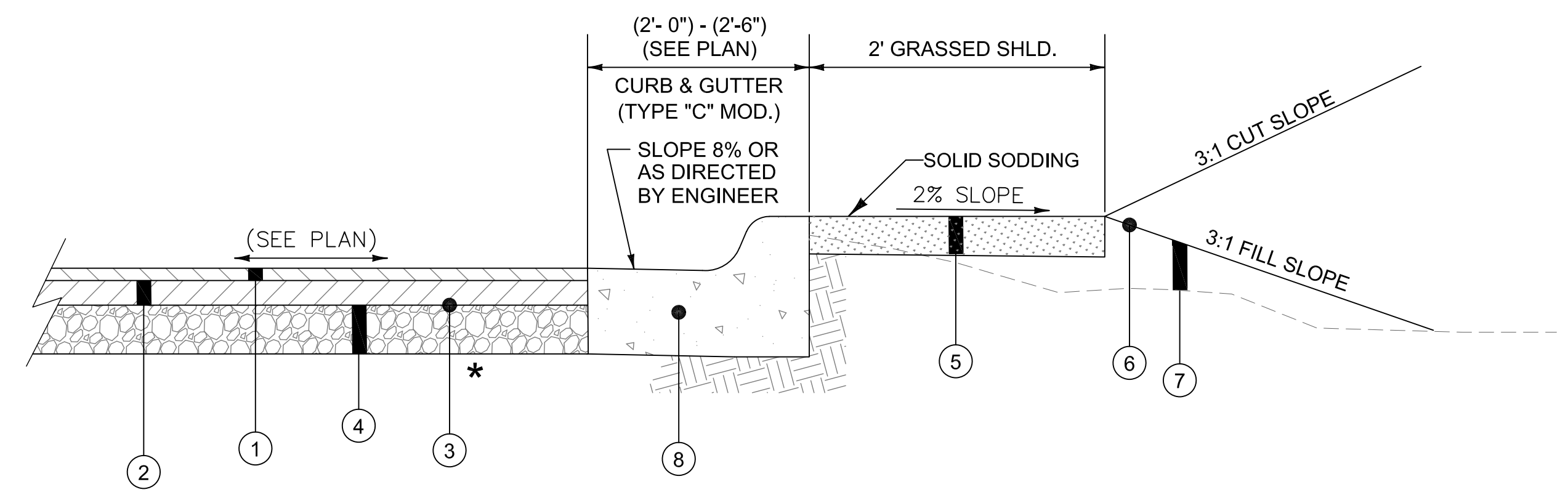
**CONTRACTOR SHALL "SAW-CUT" AS REQUIRED TO PROVIDE A SMOOTH AND EVEN JOINT AT TIE IN



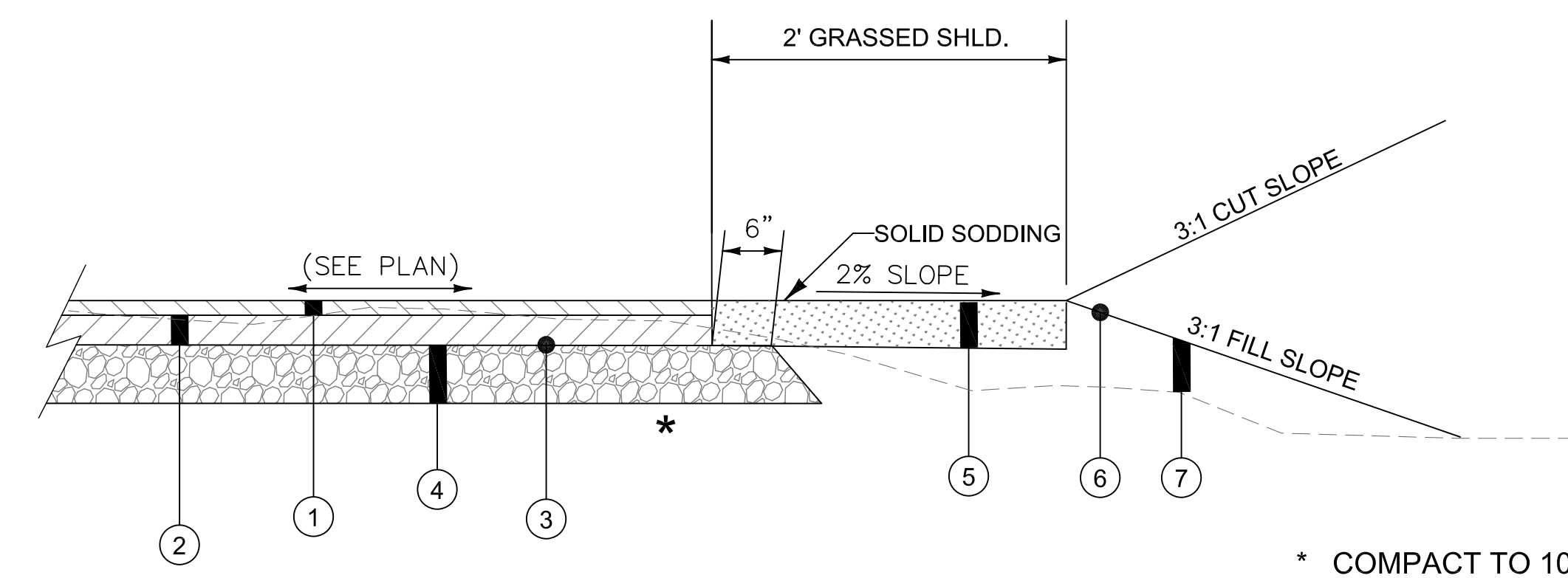
PATCHING DETAIL



PARKING AREA OVERLAY



TYPICAL SECTION (WITH CURB)



TYPICAL SECTION (NO CURB)

* COMPACT TO 100% OF AASHTO T-99
 ** COST IS SUBSIDIARY OBLIGATION TO ITEM 210A-000

- ① REQD ITEM NO. 424A-340 SUPERPAVE BITUMINOUS CONCRETE WEARING SURFACE LAYER, 1/2" MAXIMUM AGGREGATE SIZE MIX, ESAL RANGE A/B (APPROX. 110 LB/SY)
- ② REQD ITEM NO. 424B-636 SUPERPAVE BITUMINOUS CONCRETE UPPER BINDER LAYER, 1" MAXIMUM AGGREGATE SIZE MIX, ESAL RANGE A/B (APPROX. 220 LB/SY)
- ③ REQD ITEM NO. 401A-000 BITUMINOUS TREATMENT A. (SQUARE YARD)
- ④ REQD ITEM NO. 301A-012 CRUSHED AGGREGATE BASE COURSE, TYPE B, PLANT MIXED, 6" COMPACTED THICKNESS. (SQUARE YARD)
- ⑤ REQD ITEM NO. 654A-005 SOLID SODDING (EMERALD ZOYSIA) (SQUARE YARD)
- ⑥ REQD ITEM NO. 650A-000 TOPSOIL (4" THICK)
- ⑦ REQD ITEM NO. 210A-000 UNCLASSIFIED EXCAVATION (CUBIC YARD)
- ⑧ REQD ITEM NO. 623C-000 COMBINATION CURB & GUTTER, TYPE C AND/OR REQD ITEM NO. 623C-003 COMBINATION CURB & GUTTER, TYPE C MODIFIED
- ⑨ REQD ITEM NO. 405A-000 TACK COAT (GALLON)
- ⑩ REQD ITEM NO. 424B-285 SUPERPAVE BITUMINOUS CONCRETE UPPER BINDER LAYER, PATCHING, 1" MAXIMUM AGGREGATE SIZE MIX, ESAL RANGE A/B (APPROX. 220 LB/SY)
- A RETAIN EXISTING PAVEMENT
- B REMOVE EXISTING PAVEMENT

DATE	BY	REVISIONS
11-30-18	TM	ADDENDUM NO. 2



NOT TO SCALE

TYPICAL SECTIONS

SUMMARY OF QUANTITIES (BY CONTRACTOR)

QUANTITY	UNIT OF MEASUREMENT	ITEM NO.	DESCRIPTION
80	LF	206D-000	REMOVING PIPE
385	LF	206D-003	REMOVING CURB AND GUTTER
370	CUYD	210A-000	UNCLASSIFIED EXCAVATION
32	CUYD	214B-001	FOUNDATION BACKFILL, COMMERCIAL
2600	SQYD	230B-000	ROADBED PROCESSING
2600	SQYD	301A-012	CRUSHED AGGREGATE BASE COURSE, TYPE B, PLANT MIXED, 6" COMPACTED THICKNESS
2600	SQYD	401A-000	BITUMINOUS TREATMENT A
570	GALS	405A-000	TACK COAT
550	TON	424A-340	SUPERPAVE BITUMINOUS CONCRETE WEARING SURFACE LAYER, 1/2" MAXIMUM AGGREGATE SIZE MIX, ESAL RANGE C/D (110 LB/SY)
20	TON	424B-285	SUPERPAVE BITUMINOUS CONCRETE UPPER BINDER LAYER, PATCHING, 1" MAXIMUM AGGREGATE SIZE MIX, ESAL RANGE E (220 LB/SY)
300	TON	424B-636	SUPERPAVE BITUMINOUS CONCRETE UPPER BINDER, 1" MAXIMUM AGGREGATE SIZE MIX, ESAL RANGE E (220 LB/SY)
45	LF	530A-001	18" ROADWAY PIPE (CLASS 3 R.C.)
1	LS	600A-000	MOBILIZATION
9	TON	610C-001	LOOSE RIPRAP, CLASS 2
221	SQ YD	618A-000	CONCRETE SIDEWALK, 4" THICK
204	CUYD	650A-000	TOPSOIL
2	ACRE	652A-100	SEEDING
1980	SQ YD	654A-000	SOLID SODDING
300	LF	665J-002	SILT FENCE, TYPE A
300	LF	665O-001	SILT FENCE REMOVAL
60	LF	665Q-002	WATTLE
1	EACH	619A-002	18" ROADWAY PIPE END TREATMENT, CLASS 1
1	EACH	621C-017	INLETS, TYPE S3 (2 WING)
780	LF	623B-002	CONCRETE CURB, TYPE A
655	LF	623C-000	COMBINATION CURB & GUTTER TYPE C
167	LF	623C-003	COMBINATION CURB & GUTTER TYPE C, MODIFIED
5	EACH	627E-000	PARKING CHOCK/WHEEL STOP CIP
1	ACRE	656A-010	MULCHING
1	LS	680A-001	GEOMETRIC CONTROLS
3975	LF	701G-009	SOLID WHITE, CLASS 1, TYPE A TRAFFIC STRIPE
435	LF	701G-027	SOLID YELLOW, CLASS 1, TYPE A TRAFFIC STRIPE
50	LF	701H-000	SOLID TRAFFIC STRIPE REMOVAL (PAINT)
456	SQFT	703B-002	TRAFFIC CONTROL LEGENDS, CLASS 2, TYPE A
104	SQFT	710A-126	CLASS 8, ALUMINUM FLAT SIGN PANELS 0.08" THICK OR STEEL FLAT SIGN PANELS 14 GAUGE (TYPE IX BACKGROUND)
288	LF	710B-001	ROADWAY SIGN POST (#3 "U" CHANNEL GALVINIZED STEEL)
130	SQFT	740B-000	CONSTRUCTION SIGNS
10	EACH	740D-000	CHANNELIZING DRUMS
15	EACH	740E-000	CONES (36 INCHES HIGH)
4	EACH	740F-002	BARRICADES, TYPE III

2

2

2

DATE	BY	REVISIONS
11-30-18	TM	ADDENDUM NO. 2



NOT TO SCALE

SUMMARY OF QUANTITIES